

CPS-60B Balanced Double Cartridge Mechanical Seals

CPS PUMPS

Sizes: 1-3/8", 1-7/8" & 2-5/8"
 Temperatures: -40° F to +400° F
 Pressures to: 425 PSI
 Speeds to: 4800 Ft/Minute

Applications:

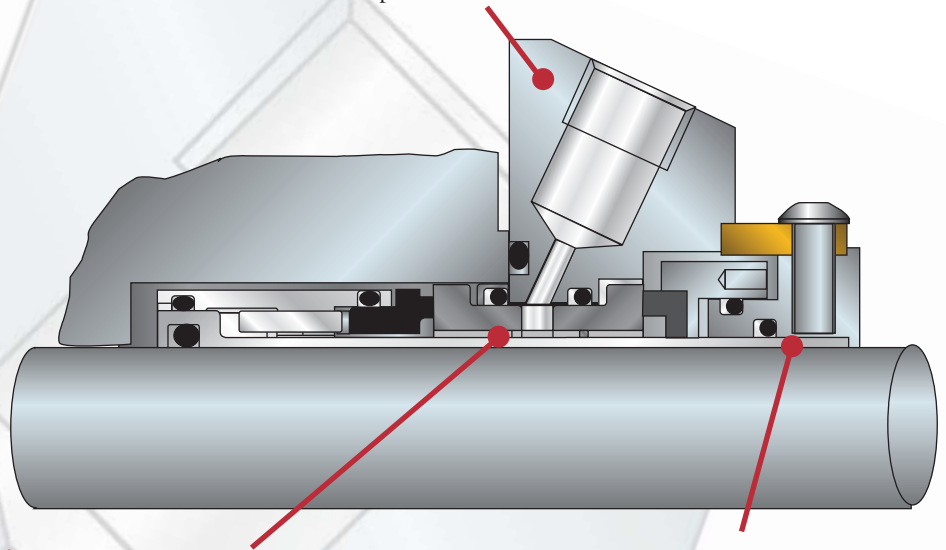
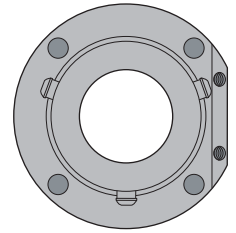
Pumps, mixers, blenders, agitators, chillers, compressors, blowers & fans

Services:

- Chemical
- General Industry
- Marine
- Mining & Aggregate
- Oil & Gas
- Power Generation
- Petro-Chemical
- Pharmaceutical
- Pulp & Paper
- Water & Waste Water

Seal Gland

- All 316 stainless steel construction
- Tangential barrier flush ports for seal flush with "In" and "Out" connections
- Gland annulus allows for oversized volume of liquid to cool seal faces
- Universal gland is set up to bolt up to ANSI large bore pumps without modification
- Gland utilizes an o-ring for sealing against static face
- Depending on barrier fluid pressure, this seal can be used as a double, tandem or backup seal



Rotary & Stationary Seats

- Two sets of faces for maximum reliability
- Fully balanced rotating faces
- Non-shrink fit faces that are field replaceable
- Wide array of seal face options
- Wide array of elastomer options
- Pinned stationary and rotary faces for superior life

Seal Collar & Shaft Sleeve

- All 316 stainless steel construction
- Integral centering blocks to set the seal and allow impeller adjustment
- Static, non-fretting shaft sleeve o-ring
- Multiple springs are completely isolated from pump fluid and will not clog or corrode

| Seal De-Rating (Standard Materials) | | | |
|-------------------------------------|-------------------------------------|----------|----------|
| Lubricity of Fluid | Gasoline, Kerosene, Oil or Better | | x 1.00 |
| | Aqueous, Water, etc. | | x 0.75 |
| | Light Hydrocarbons | | x 0.60 |
| Fluid Temperature | Below 79°C/175°F | | x 1.00 |
| | Above 79°C to 121°C/175°F to 250°F | | x 0.90 |
| | Above 121°C to 177°C/250°F to 350°F | | x 0.80 |
| | Above 177°C/350°F | | x 0.65 |
| Seal Size and Rotational Speed | Seal Size | 1800 RPM | 3600 RPM |
| | 1.000 to 2.000 | x 1.00 | x 1.00 |
| | 2.125 to 2.875 | x 0.85 | x 0.85 |
| | 3.000 to 4.000 | x 0.61 | x 0.61 |

CPS-60B Balanced Double Cartridge Mechanical Seals can be installed in:
XA, SP, HML, HMM, HMH, CSD, CSG, CVT

Complete seal rebuild kits are available for field replacement of wearing components.